



palette



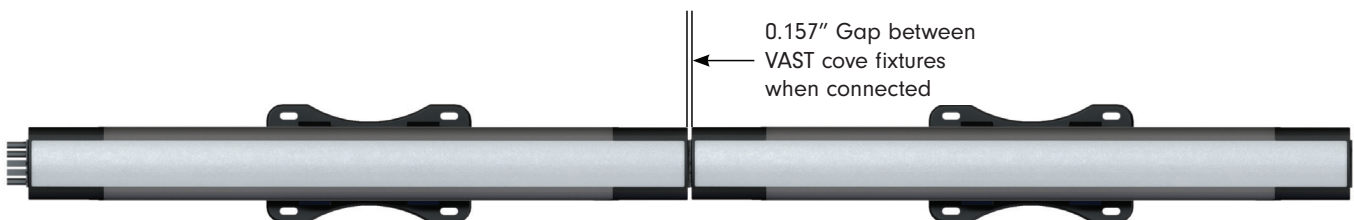
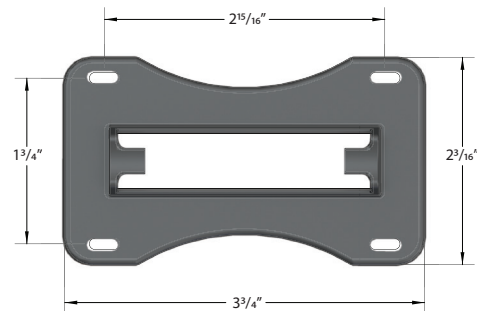
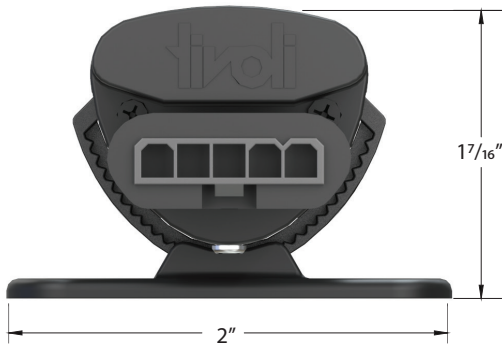
7
2
6



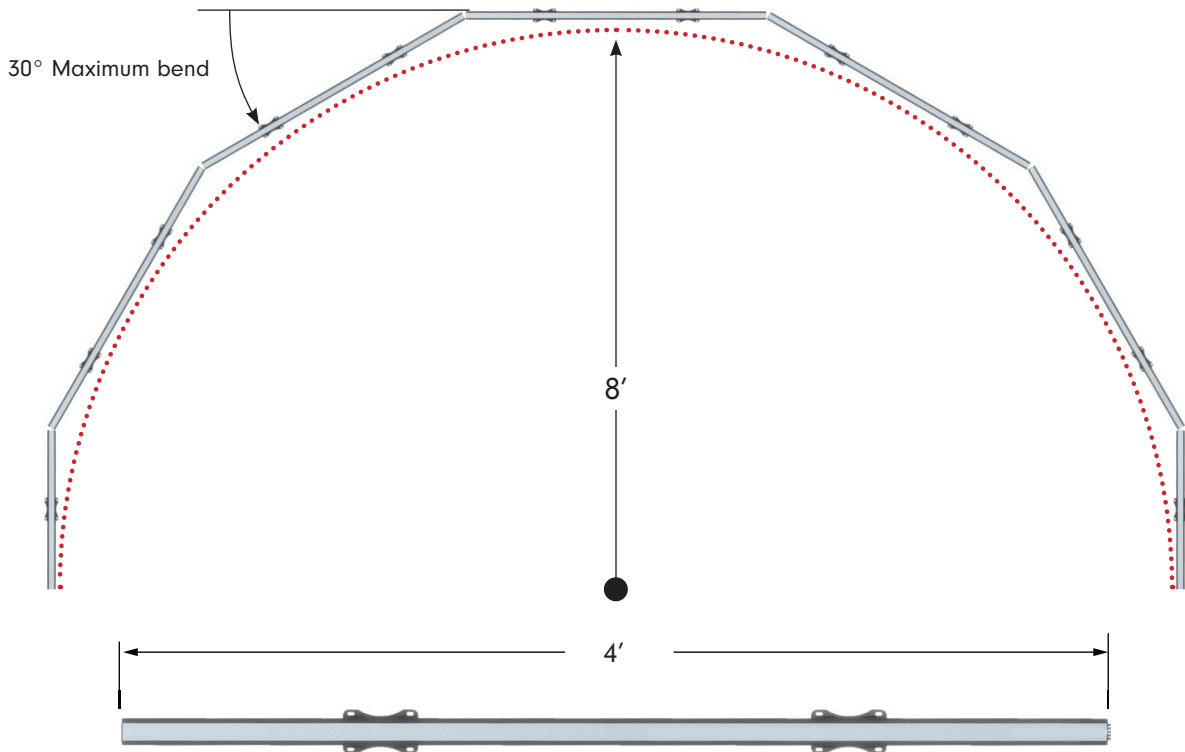
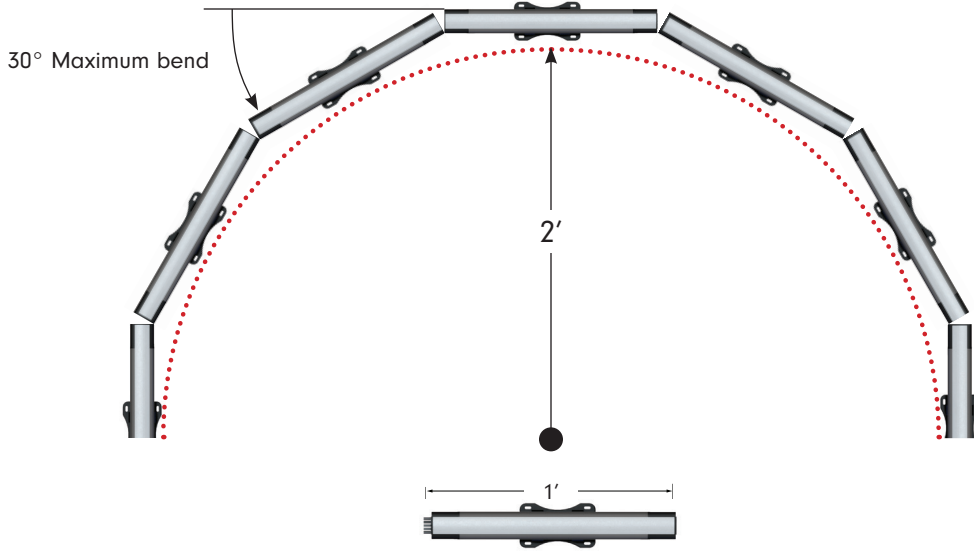
Project: _____ TYPE: _____

- RGB+W Cove light with dedicated white chip ranging from 27K - 60K
- DMX with RDM (Remote Device Management) or DMX with Auto Addressable feature
- Self-Ballasted (100-277V AC)
- Up to 450 lumens/ft (CCT dependent)
- Maximum Run up to 120'
- Flexible connectors accommodate curved applications
- Adjustable mounting bracket for desired angle
- For Dry/Damp location
- IP54 Rating
- 5 Year warranty

Dimensions



Radius Bend



Order Specification Guide

| PRODUCT CODE | LED TYPE | COLOR | LENS | RGB+W LED COLOR | DIMMING OPTION | LENGTH |
|--------------------------------|--|-----------------|-----------|--|---------------------------------------|------------------|
| VAST | | SG | OP | | | |
| VAST = VAST Palette Cove Light | SB = Standard Brightness HO = High Output | SG = Space Gray | OP = Opal | RGB27 = RGB+2700K RGB30 = RGB+3000K RGB35 = RGB+3500K RGB40 = RGB+4000K RGB53 = RGB+5300K RGB60 = RGB+6000K | 01 = DMX/RDM 02 = DMX/Auto Address | 1 = 1' 4 = 4' |

Specifications

| Output (High Output - HO) - 1' Unit | |
|---|--|
| White 3000K Lumens (lm/ft) White Chip Only | 1066 |
| RGB Lumens (lm/ft) Red, Green and Blue Only | 254 |
| Red Lumens (lm/ft) | 70.6 |
| Blue Lumens (lm/ft) | 39.2 |
| Green Lumens (lm/ft) | 172 |
| Efficacy (3000K) | 88.83 |
| LED | |
| Beam Angle | 115° |
| CRI (3500K) | 94 |
| Electrical | |
| Control | DMX5 512 (Resolution: 1 pixel/unit), RDM (Programable Resolution: 1 pixel/6", 12", 24", 48") |
| Input Voltage | 100-277V AC 50/60Hz |
| Power Consumption (W/unit) | 1': 6W (SB), 12W (HO) 4': 24W (SB), 48W (HO) |
| Maximum Electrical Run | 120' (SB), 60' (HO) |
| Physical | |
| Mounting | Surface Mount with adjustable clip |
| Operating Temperature | -4°F~149°F (-20°C~65°C) |
| Storage Temperature | -13°F~158°F (-25°C~70°C) |
| Certification and Testing | |
| Certification | cULus, CE, RoHS |
| Rated Life | >60,000 hrs. @ 25°C |
| Environment | Dry/Damp Location |
| IP Rating | IP54 |
| Warranty | 5 Years |

Accessories



VAST-T-CONN-XLR-3
T Connector for DMX XLR connection to controller



VAST-T-CONN-SIG
T Connector 7' Power Cable and 7' 0-10V Signal Cable



JUMPER-XLR3P-X
Jumper Cable 3-PIN XLR
X = 5, 10, 25 (lengths in ft)



VAST-JUMPER-5P-X
X = 1 (1'), 5 (5')
Jumper, 5-Pin Connection



DMX3-CAT5-ADPTR
DMX Adapter
3-pin XLR Female to RJ45



VAST-BAFL-1
Black Vast baffle 1' length



NTG-SWI-16PT
NETGEAR 16-Port Gigabit Ethernet Unmanaged Switch



VAST-5P-EC
5-Pin End Cap



ARTNET-L-X-512
X = 8, 16 (ports)
8 or 16 port universe Artnet to DMX interface, 16 port 8192 DMX channels
8 port 4096 DMX channels (Online only)



NTG-SWI-8PT
NETGEAR 8-Port Gigabit Ethernet Unmanaged Switch



DMX-SPLT-8
DMX Splitter
8 ports of DMX 512, RJ45 and 3-pin hardware connection

Note: If the number of DMX fixtures exceed 32 units, a DMX Splitter is required. A DMX splitter mainly splits and duplicates an incoming DMX signal into several DMX output signals. Each output signal is basically the same. At the same time, the DMX splitter amplifies the signal to ensure the signal strength.

Controls & Software



TVOQ-1-WH
16 DMX channel, 16 scene,
4 zone, glass touch screen



TVOQ-10-XX-7
XX = BK (Black), WH (White)
1024 DMX channel, 500 scene,
10 zone, glass touch screen



TVOQ-2-BK
512 DMX channel, 99 scene,
1 zone, glass touch screen



ARTNET-S-8-512
8 port universe Artnet to DMX interface, 4096 DMX channels
(Online or Offline option)



Cue™ and CuePro™ softwares are specifically designed for the TivoCUE™ in-wall DMX controls and includes an array of tools required by the latest DMX lighting fixtures. Intuitive, with easy-to-use effects that can be dropped into timelines, and multi-zone synchronization capabilities allow you to program a project effortlessly.

Key & Software Levels



MADRIX KEY

A USB dongle unlocks the software’s full output. You can freely switch between different PCs as it is not bound to a specific one. It only needs to be activated online once.

MADRIX 5 LICENSE UPGRADES

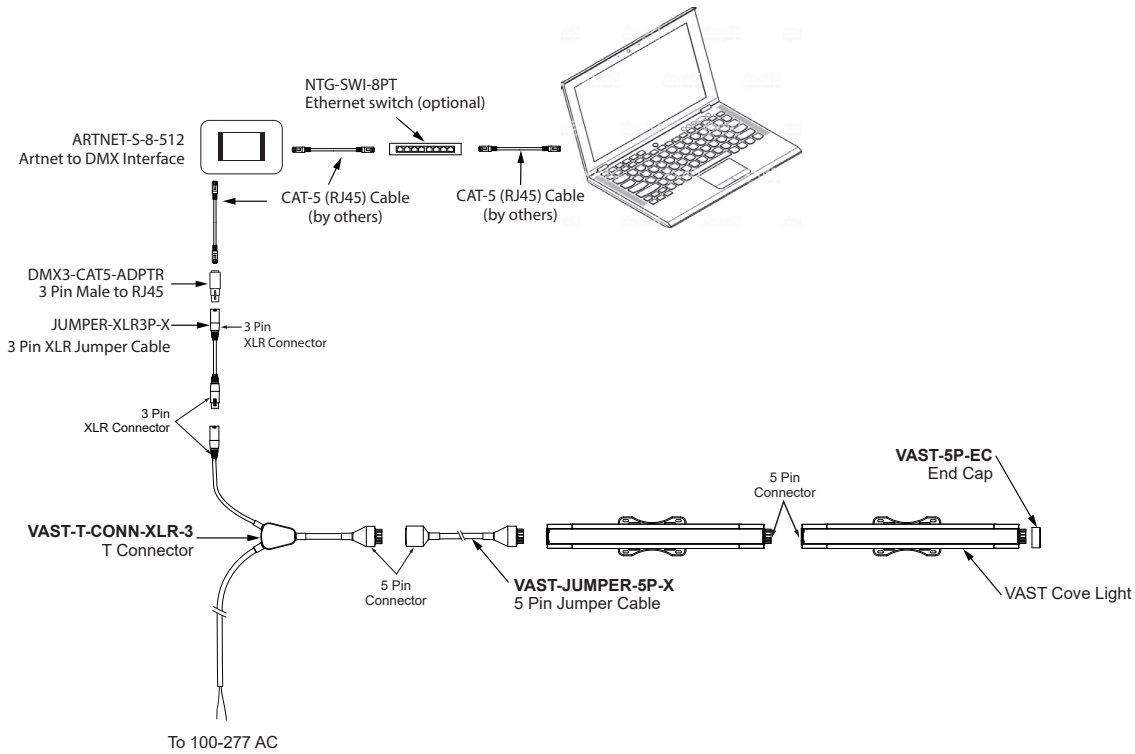
You can easily upgrade your MADRIX 5 KEY to any higher license at any time, increasing the available output.

| MADRIX 5 Key & Software Cat No | MDRX-LC-5S | MDRX-LC-5E | MDRX-LC-5B | MDRX-LC-5P | MDRX-LC-5U | MDRX-LC-5M |
|--------------------------------|----------------|------------------|------------------|----------------------|----------------------|----------------------|
| Level | START | ENTRY | BASIC | PROFESSIONAL | ULTIMATE | MAXIMUM |
| DMX-Based Output | | | | | | |
| DMX Channels | 1,024 | 4,096 | 16,384 | 65,536 | 262,144 | 1,048,576 |
| DMX Universe Example | 2 | 8 | 32 | 128 | 512 | 2,048 |
| RGB Voxels Example | 341 | 1,365 | 5,461 | 21,845 | 87,381 | 349,525 |
| DVI-Based Output | | | | | | |
| DVI Voxels | 4,096 | 16,384 | 262,144 | 1,048,576 | 2,097,152 | 2,097,152 |
| Render Resolution Example | 64 X 64 PIXELS | 128 X 128 PIXELS | 512 X 512 PIXELS | 1,024 X 1,024 PIXELS | 2,048 X 1,024 PIXELS | 2,048 X 1,024 PIXELS |

Wiring Diagram - Offline

ARNET-S (Stand Alone)

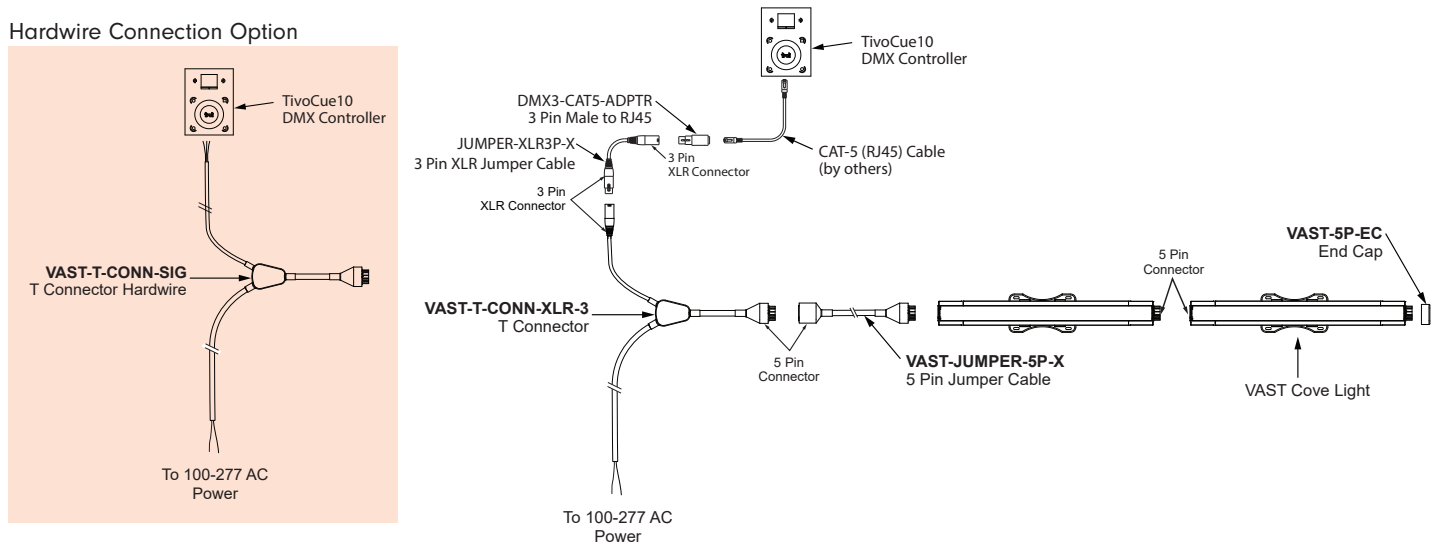
Programmed via MADRIX software and recorded directly to an ARNET-S interface for media applications and performance. This is a stand-alone feature with no need for network support by software (MADRIX) once recorded to the interface (ARNET-S). Please refer to ARTNET-S-8-512 User Manual for additional information.



TivoCUE (Stand Alone)

Programmed via CUE software and recorded to a MicroSD card for data transfer into TivoCUE control. This is a stand-alone feature with no need for network support by software (CUE PRO) once recorded and transferred to in-wall DMX control hardware (TivoCUE). Please refer to TivoCue 10 User Manual for additional information.

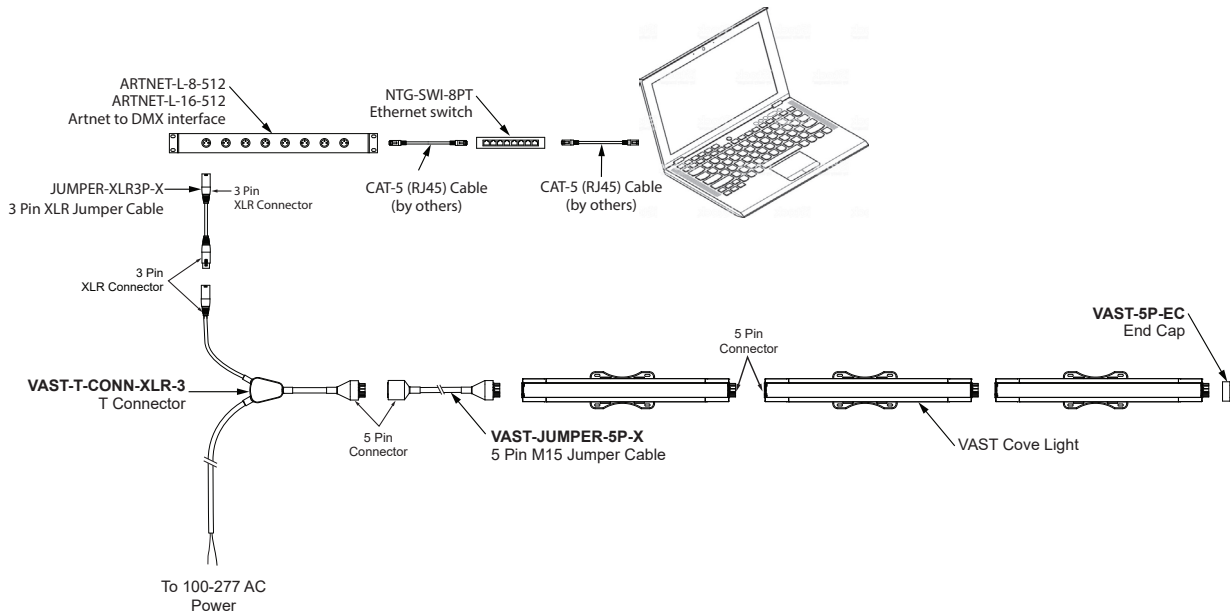
Hardware Connection Option



Wiring Diagram - Online

LIVE CONFIGURATION

This is a live control performance setup. Widely used for concerts or performance-based manipulation. Use of a live network is necessary for communication between MADRIX software and fixture.



Tivoli Technical Support

DMX projects can be difficult to setup and program when dealing with software and fixtures once you are on site. Tivoli offers technical support from initial contact up to installation and setup if needed. Please contact your local sales rep for pricing and provide details of desired technical support level for your project.



- Phone Support
- Website & Video
- PDF Documents

In-House Customer Support
 sales@tivoliusa.com
 714-957-6101 (Engineering Tech Support)



- Travel To Site
- Program
- Test & Run System

On-Site Live Support | Commission